

Integrated and autonomous REM solution.

Manage all fishing operations securely and efficiently.

Security and confidentiality of information guaranteed

Highly secure information. Images and videos georeferenced and encrypted ensuring that all information remains safe and secure.

Robust modular system, highly configurable

Ability to adapt to all kinds of vessels and fisheries. Customize according to the client's needs.

Images and videos in HD

Up to 5 Mpx (photos) or 2 Mpx 25 fps (videos) to enable the identification of species, quantities captured and fishing techniques used during the trip.

Easy to install



MAIN FEATURES

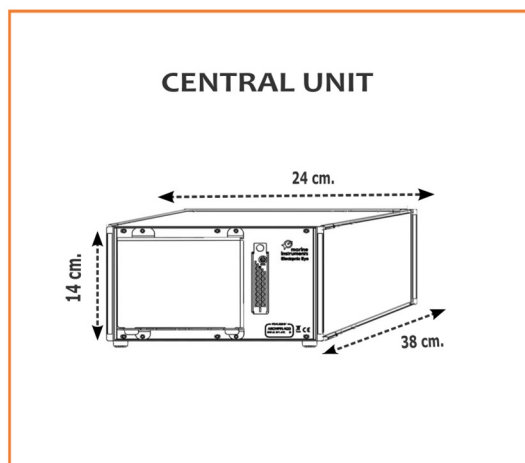
- Stores images and videos in HD along with all the information collected during the trip, such as location, speed, course or sensor data.
- The system includes a GPS receiver, supports multiple sensors and up to 8 cameras.
- Possibility to monitor in real time from the bridge.
- Register activities, catches, discards, bycatch, transshipments, illegal fishing, etc. Integration with e-logbook.
- WIFI, 3G/4G and satellite connectivity with global coverage.
- Back-up batteries.
- Integration with VMS Iridium system with global coverage.





Technical features

- **Back-up battery:** 1 hour autonomy (with 3 cameras)
- **Weight:**
Central unit: 5 Kg.
- **Power supply:** DC or AC
- **Portable hard drive:** 2TB (extendable upto 40 TB with NAS)
- **Backup internal drive:** 256 GB mSATA
- **WIFI 802.11n** with multi antenna technology (MIMO)
- **Dimensions**



DATA ANALYSIS

- Powerful **analysis software** for the automatic creation of fishing reports, minimizing time and costs.
- Collaboration with **prestigious observer centres** for data analysis.



CAMERAS



High resolution steel cameras
INOX IP68 cameras designed and manufactured for severe marine conditions.



DOME cameras
Camera for limited spaces installation. Adjustable optics.

Cameras are connected to the central unit. The model and configuration chosen will depend on the client's needs.

ACCESSORIES

Fishing gear sensors



Hydraulic, proximity, rotation and others

NAS KIT

